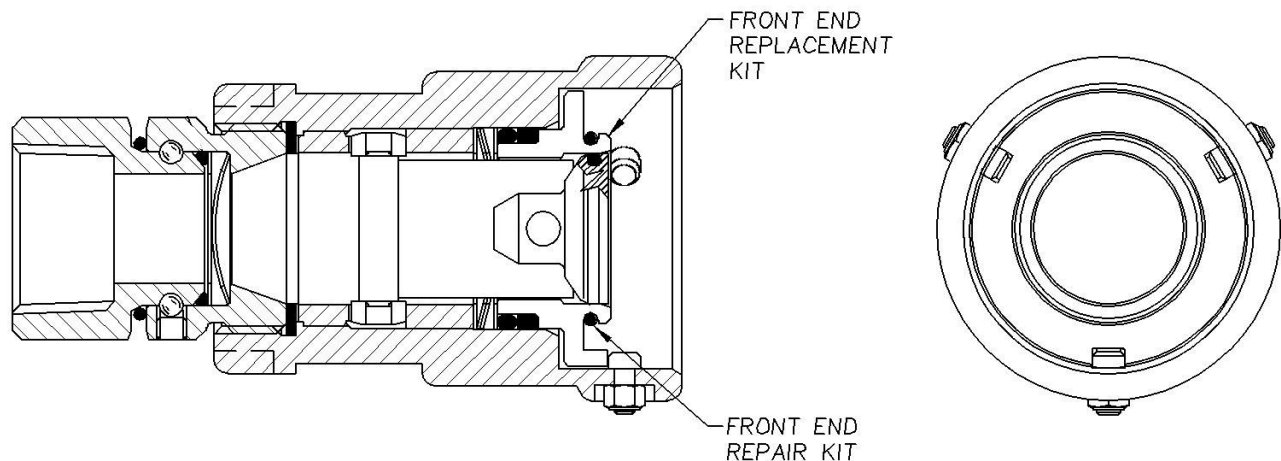


DRY-BREAK II™ PRODUCT BULLETIN

J71 1-INCH COUPLER (REVISION C) & ADAPTER REPAIR KIT



Emco Wheaton has developed a series of REPAIR KITS suitable for field repair of the J71 Series Couplers and Adapters.

Our previous experience with this type of KIT PROGRAM has proven its value. If a Coupler or and Adapter had a leaky seal or 'O' Ring, or a part worn, the feeling is the installation of a complete REPAIR KIT in that area of concern will give the user far better value for the money, rather than just replacing one or two parts.

The installation of the KIT renders a wear zone on the Coupler and Adapter completely rebuilt, and will consequently give longer service life. These KITS are available off the shelf, and come complete with Instruction Sheet and diagram. The part number is prominently displayed for easy stock identification.

Below is a summary of the usage and key content of each type of KIT:

Front End (Major) Replacement Kit: For major rebuild of the front end of the coupler. Kit Contains: Poppet, Poppet Guide, Driving Plate, Bayonet Studs (3) and locking nuts (3), rivet pin, flat washers (2), wave washers (2), bushing, rollers (2), and 'O' Rings (3).

Front End (Minor) Repair Kit: For minor repair of the front end of the coupler. Kit Contains: Bayonet Studs (3) and locking nuts (3), 'O' Rings (3), bushing, wave washer, and rollers (2).

COUPLERS

To determine the correct repair kit for your coupler, find the part number of the coupler in the list at the left-hand side. Then follow the line to determine the kit number. For example, the front end repair kit for J71C-AVN1-C is 801055.

Coupler Part #	Front End (Major) Replacement Kit Part #	Front End (Minor) Repair Kit Part #	Cross Shaft Seal Kit Part #	Cross Shaft Replacement Kit Part #	Poppet / Link & Stem Repair Kit Part #
J71C-ABN0-A	800426	800423	800417	800420	800434
J71C-APN0-A002	CALL FOR INFORMATION				
J71C-AVN0-A	800427	800424	800418	800421	800425
J71C-AVN0-A002	CALL FOR INFORMATION				
J71C-AVTO-A	800427	800424	800418	800421	800435
J71C-BPN0-A006	800681	800682	800679	800680	800683
J71C-ABN1-C	801056	801058	N/A	N/A	N/A
J71C-AVN1-C	801053	801055	N/A	N/A	N/A

ADAPTERS

Listed below are the repair kits that are now available for Adapters. Each kit includes the following items: Front End and Back End Retaining Screws, Seal Ring, Sealing Washer, Spring, Flat Washer, Silicone Oil.

Adapter Part #	Repair Kit Part #
J71A-BBM0-A	800431
J71A-BBN0-A	800431
J71A-BVB0-A	800432
J71A-BVM0-A	800432
J71A-BVN0-A	800432
J71A-BVP0-A	800432
J71A-BPM0-A	800684
J71A-BPM0-A004	800684
J71A-BPN0-A	800684
J71A-SBM0-A	800685
J71A-SPM0-A	CALL FOR INFORMATION
J71A-SVM0-A	CALL FOR INFORMATION

J71 PDS / JUNE 2009

EMCOWHEATON

A Gardner Denver Product

Emco Wheaton Corp.
 2480 Bristol Circle
 Oakville, Ontario, L6H 5S1, Canada
 Phone 905 829 8619 Fax 905 829 8620
www.emcowheaton.com

*Better by
 Design*