

DROP ELBOWS

F0523

4" PRODUCT DELIVERY ELBOW

EMCO WHEATON

A Gardner Denver Product

FEATURES & BENEFITS

The product delivery drop elbow is designed with the operator in mind. It is lightweight and durable with a low pressure drop to reduce delivery times.

- **Lightweight** aluminum construction
- **High flow** rate
- **Simple and reliable** cam design
- **Quick and easy** to rebuild
- **Two piece construction** allows change of connector size and style
- **Sight glass** for product visibility
- **Most parts interchangeable** with other Emco Drop Elbows



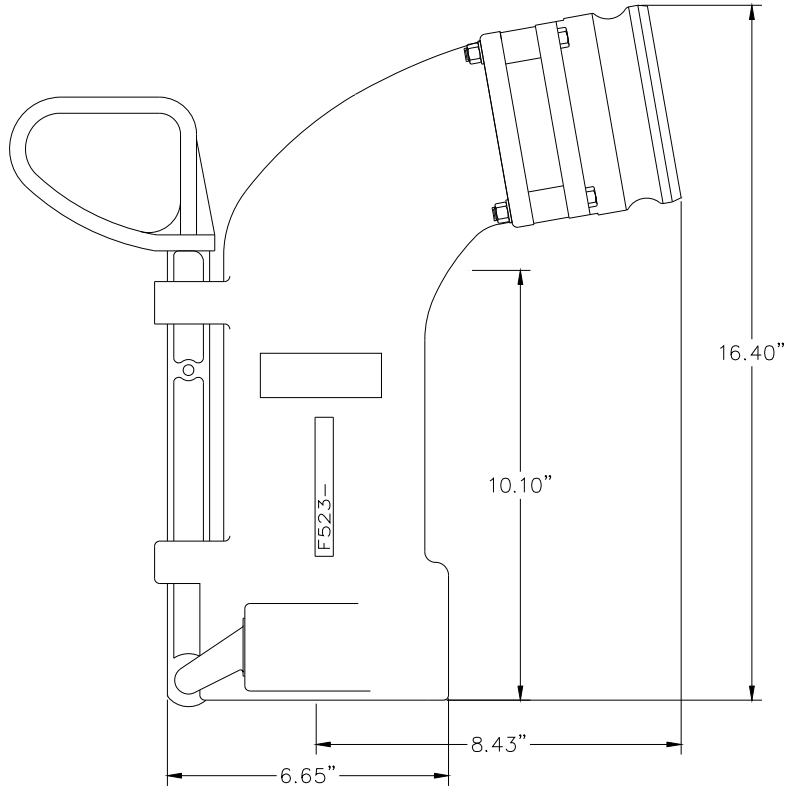
**SPECIFY "EMCO WHEATON"
FOR THE HIGHEST FLOW**

As a part of a continuous commitment to product development the company reserves the right to alter the specification of its products without prior notice

Emco Wheaton Fuel Systems
Gardner Denver Inc.
4601 Commerce Crossings Drive Suite 200, Louisville, KY 40229 USA
Tel: +1 800 285 EMCO (3626) Fax: +1 502 266 5873
e-mail: fs-us@emcowheaton.com www.emcowheaton.com



OVERALL DIMENSIONS



VARIANTS

| PART NO. | DESCRIPTION | WEIGHT |
|-----------|--------------------------------------|----------|
| F0523-006 | Product Drop Elbow 4" Base x 4" C&G | 13.0 lbs |
| F0523-007 | Product Drop Elbow 4" Base x 4" FNPT | 13.0 lbs |
| F0523-008 | Product Drop Elbow 4" Base x 3" C&G | 12.9 lbs |
| F0523-009 | Product Drop Elbow 4" Base x 3" FNPT | 12.9 lbs |

Sheet Ref. CSF0523
Oct 2008 - Revision 0

As a part of a continuous commitment to product development the company reserves the right to alter the specification of its products without prior notice

Better by Design

EMCO WHEATON

A Gardner Denver Product

Emco Wheaton Fuel Systems
Gardner Denver Inc.
4601 Commerce Crossings Drive Suite 200, Louisville, KY 40229 USA
Tel: +1 800 285 EMCO (3626) Fax: +1 502 266 5873
e-mail: fs-us@emcowheaton.com www.emcowheaton.com