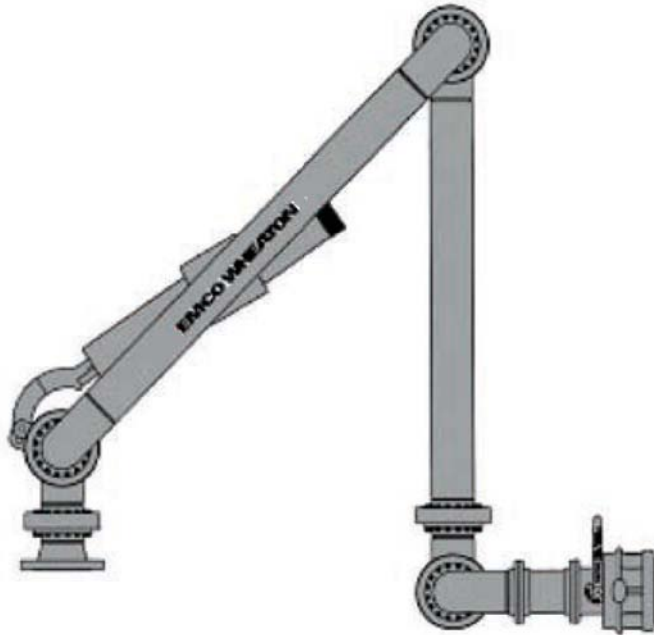


A-FRAME BOTTOM LOADING ARM | E2313



5 year limited warranty on D2000 World Series swivel joints.

Recommended for servicing both sides of the platform and for adjacent arm crossover.

Secondary arm is available as a rigid pipe or hose.

Standard vertical range of motion for the loading arm is 55° (park position) to -20° (load position). Maximum vertical range of movement up to 95° with spring cylinders.

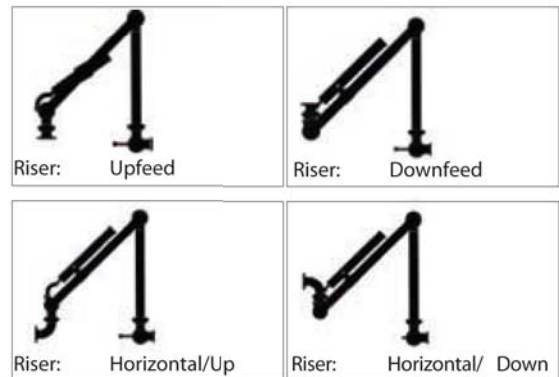
Standard arms feature the D2000 World Series swivel joints for ultra low maintenance & the easy to adjust spring cylinder balance.

☞ Pipe Size: 2" through 12"

☞ Materials: Carbon, Steel carbon, Steel/ Aluminum, Stainless steel

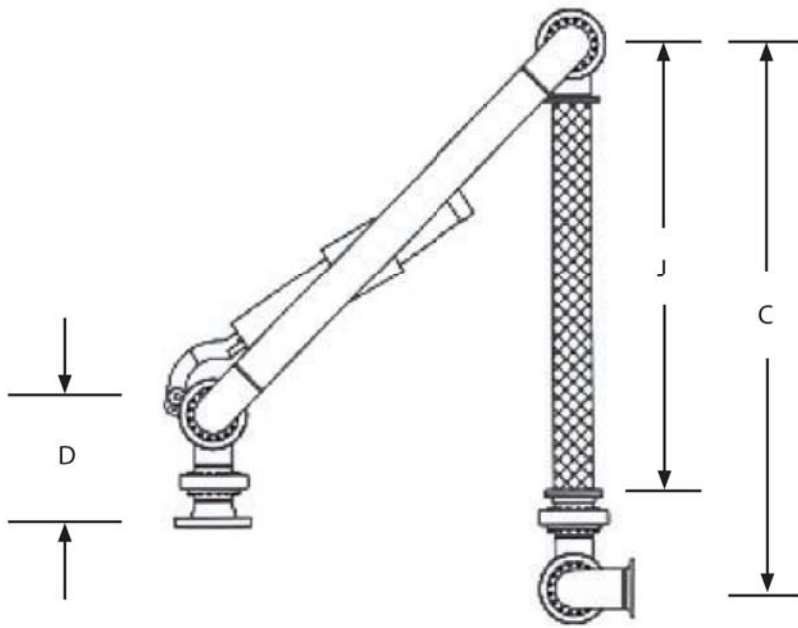
Riser connection options

Loading arms shown in the park position



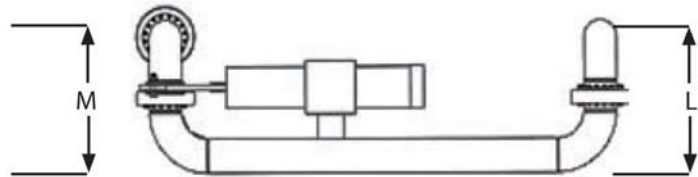
E2313

Dimensions and technical data



Dimensions

	D	M	L
2"	9.9"	10.11"	10.11"
3"	11.86"	13.11"	13.11"
4"	14.11"	16.11"	16.11"
6"	-	-	-



Better by
Design

Whilst the content of this leaflet has been edited with the greatest care, we are not liable for any errors and/or omissions. Subject to change without notice.



EMCO WHEATON

A Gardner Denver Product

EMCO WHEATON USA INC

9111 Jackrabbit Road · Houston, Texas 77095 · USA

Phone +1 281 856-1300 · Fax +1 281 856-1325

www.emcowheaton.com · sales-us@emcowheaton.com