

MYR LINKAGE A-FRAME LOADING ARM | E2123



5 year limited warranty on D2000 World Series swivel joints.

MYR linkage allows for effortless handling of the outboard section of the loading arm while maintaining a constant height.

Standard vertical range of motion for the loading arm is 90° (park position) to 45° (load position).

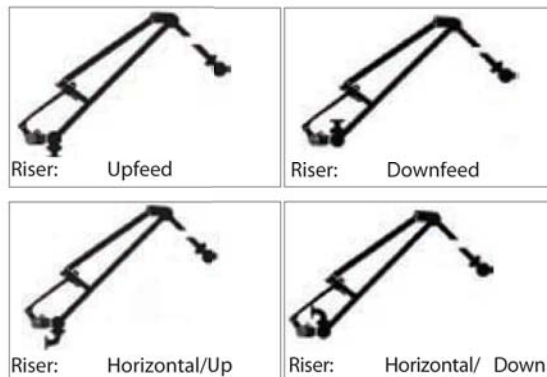
Not recommended where multiple arm cross-over is required.

Standard arms feature the D2000 World Series swivel joints for ultra low maintenance & the easy to adjust spring balance.

- ☞ Pipe size: 2" through 4"
- ☞ Materials: Carbon, Steel carbon, Steel/Aluminum, Stainless steel

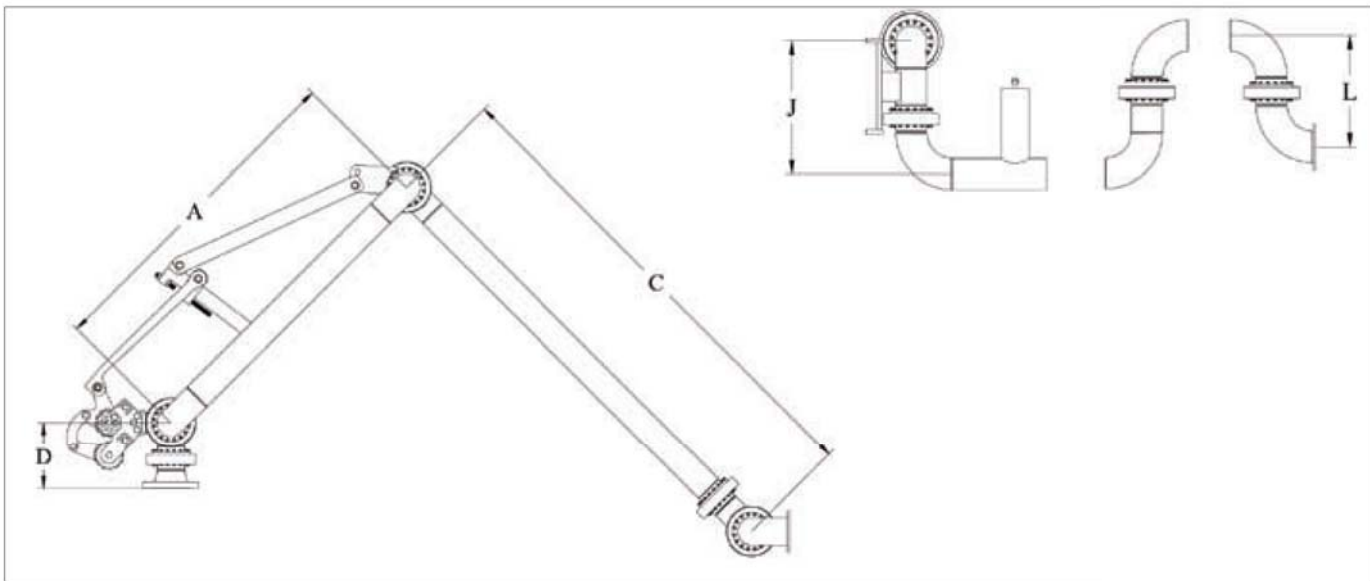
Riser connection options

Loading arms shown in the park position



E2123

Dimensions and technical data



Better by Design

Whilst the content of this leaflet has been edited with the greatest care, we are not liable for any errors and/or omissions. Subject to change without notice.



EMCO WHEATON

A Gardner Denver Product

EMCO WHEATON USA INC
9111 Jackrabbit Road · Houston, Texas 77095 · USA
Phone +1 281 856-1300 · Fax +1 281 856-1325
www.emcowheaton.com · sales-us@emcowheaton.com