

# WELCOME CHANGE

**EMCO**  
**WHEATON**

INTRODUCING THE NEW J0453 API COUPLER  
EXPERIENCE UNRIVALLED PERFORMANCE

We assembled our global team of expert engineers to rethink how API couplers could be safer, more efficient, and easier to use in the most demanding terminal environments.

Now, real change is here - meet the J0453 API Coupler, a revolutionary product that achieves:

- Up to **17% faster product loading** vs. competitor products, saving operators time and money
- **Improved environmental and operator safety** with an optional integrated pump to further reduce disconnect leaks
- Greatly **reduced weight** on the loading arms with improved ergonomics
- **Easier sealing maximizes safety** of complex loading applications
- **Simpler maintenance** with a range of service kits



Turn to the Trusted Market Leader!

**MAXIMUM  
FLOW RATE**

# NEW J0453 API COUPLER

## FEATURES & TECHNICAL DATA

WELCOME CHANGE | THE NEW J0453 API COUPLER EXPERIENCE UNRIVALLED PERFORMANCE

2

API bottom loading adapters and couplers form the mission critical connection during bottom loading of the road tanker at the loading rack.

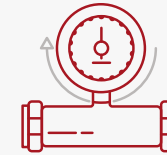
The Emco Wheaton range of API couplers are designed to incorporate maximum **safety**, while ensuring **low-pressure drop**, and hence high flow, and combining **easy maintenance** with a **long service life**. Every coupler in Emco Wheaton's range meets the recognised **international standards** and **industry codes of practice**.



Conforms to API RP1004 for compatibility with API adapters



Flow rate 17% better than leading competition helps save time and money



Working pressure increased to 16 bar, with test pressure of 25 bar



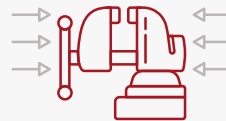
Improved ergonomics, ensuring the operator experiences an easier coupling operation



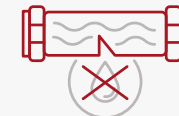
Lowest weight for an API Coupler at just 7.1 kg



Simple assembly & maintenance service kits provided



Smoother coupling operation thanks to low engagement force, while providing a **secure coupling**

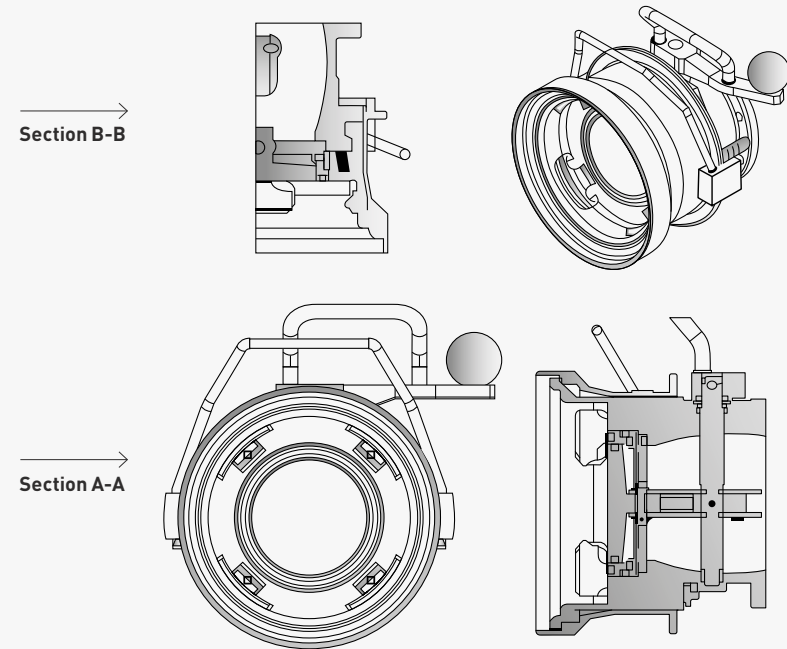
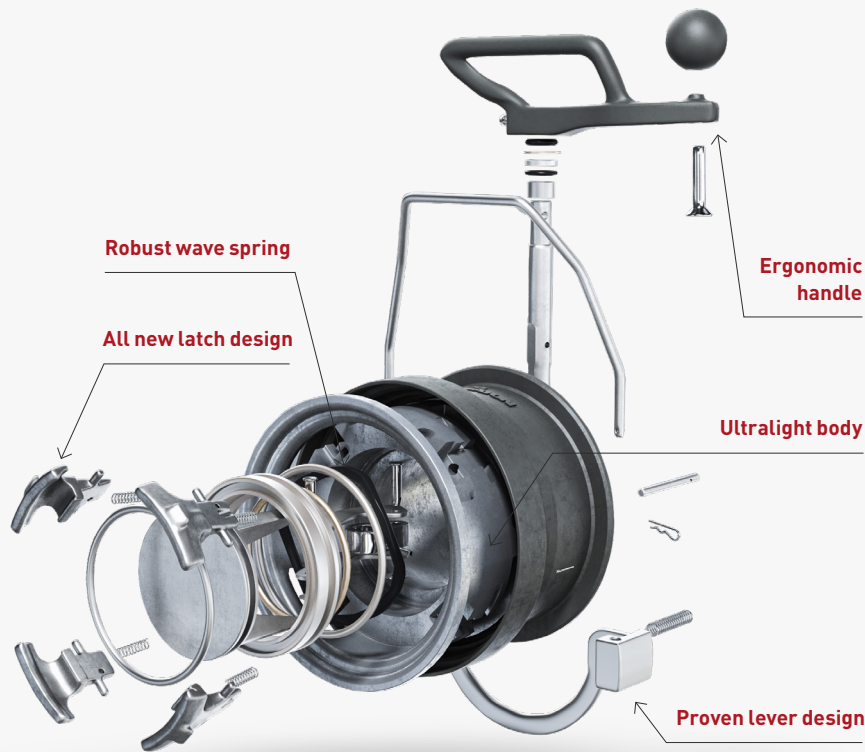


Get rid of disconnect spills



# NEW J0453 API COUPLER

## FEATURES & TECHNICAL DATA



SPECIFICATIONS	
Dimensions	227 x 270 x 178 mm
Weight	7.10 kg
Max. Working Pressure	16 bar (230 psi)
Product Test Pressure	25 bar (360 psi)
Design Standard	API RP 1004
Mounting	4" (100mm) TTMA flange
Handle Length	181mm
Options	No Drip Pump, COP magnetic sleeve

VARIANTS	
J0453-051	4" Api coupler, viton (fkn)
J0453-052	4" Api coupler, buna (nbr)
J0453-053	4" Api coupler, low temp viton (glft)
J0453-054	4" Api coupler, kalrez 6375
J0453-055	4" Api coupler, chemraz 505

# MAKE A PERFECT COMBINATION

WELCOME CHANGE | THE NEW J0453 API COUPLER EXPERIENCE UNRIVALLED PERFORMANCE

4

## EMCO WHEATON LOADING ARMS

A-Frame Bottom Loader



Long-Reach Bottom Loading Arm



Bottom Hose Loading Station



Our team of experts and specialists will work with you to maximize the safety, reliability, and efficiency of your operations

- Transfer hazardous liquids and gasses safely, with zero spills or product loss
- Comply with the latest global and environmental safety standards

## Manufacturing facilities

### Emco Wheaton

Channel Road,  
Westwood Industrial Estate,  
Margate,  
Kent,  
CT9 4JR UK  
Phone +44 (0)1843 221521  
Fax +44 (0)1843 295444

### Emco Wheaton GmbH

Emcostraße 2-4,  
35274,  
Kirchhain,  
Germany  
Phone +49 6422 84-0  
Fax +49 6422 5100

### Emco Wheaton USA, Inc.

9111 Jackrabbit Road,  
Houston,  
77095  
USA  
Phone +1 281 856-1300  
Fax +1 281 856-1325

## Sales office

### Emco Wheaton

Channel Road,  
Westwood Industrial Estate,  
Margate,  
Kent,  
CT9 4JR UK  
Phone +44 (0)1843 221521  
Fax +44 (0)1843 295444

### Emco Wheaton GmbH

Emcostraße 2-4,  
35274,  
Kirchhain,  
Germany  
Phone +49 6422 84-0  
Fax +49 6422 5100

### Emco Wheaton USA, Inc.

9111 Jackrabbit Road,  
Houston,  
Texas,  
77095  
USA  
Phone +1 281 856-1300  
Fax +1 281 856-1325

### Gardner Denver France

Emco Wheaton  
ZA du Château d'eau,  
70 avenue Albert Einstein  
77551 Moissy-Cramayel Cedex  
Phone +33 (0)6 72 93 40 98

### Gardner Denver Austria GmbH

Emco Wheaton  
Hofherr-Schranz-Gasse 4  
1210 Wien,  
Austria  
Phone +43 (1) 2701199-35  
Fax +43 (1) 2701199-11

### Emco Wheaton GmbH

Presnenskaya emb. 10  
Block C – Embankment Tower – of. 526  
123317 Moscow  
Russia  
Phone +7 495 9677612  
Fax +7 495 9677600

### Emco Wheaton Asia Pacific

21-5F IOI Business Park, Bandar Puchong  
Jaya,  
Puchong, 47170,  
Selangor, Malaysia  
Phone +603 8075 7500  
Fax +603 8075 4100

### Gardner Denver International Ltd

PO Box 30804  
Diraz, Manama  
Bahrain  
Phone +973 17813187  
Fax +973 17813186



[www.emcowheaton.com](http://www.emcowheaton.com)

[@EmcoWheaton](https://twitter.com/EmcoWheaton) | [www.facebook.com/EmcoWheaton](https://www.facebook.com/EmcoWheaton)

©2020 Emco Wheaton. All Rights Reserved.  
All trademarks are the property of Emco Wheaton.